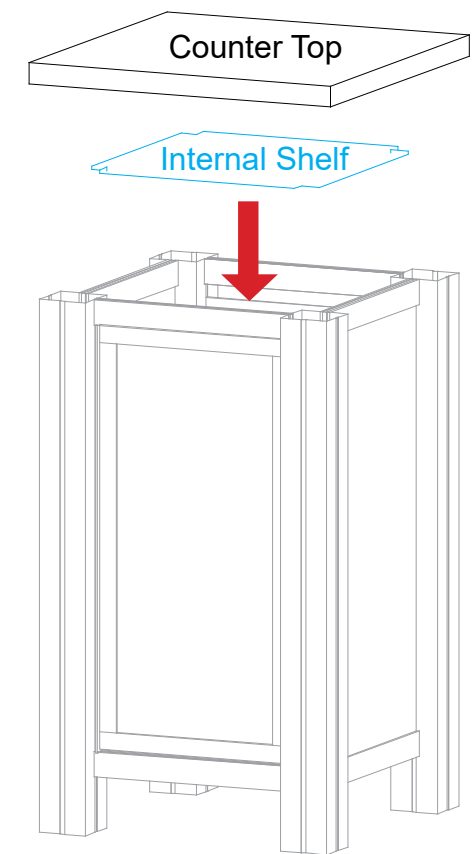
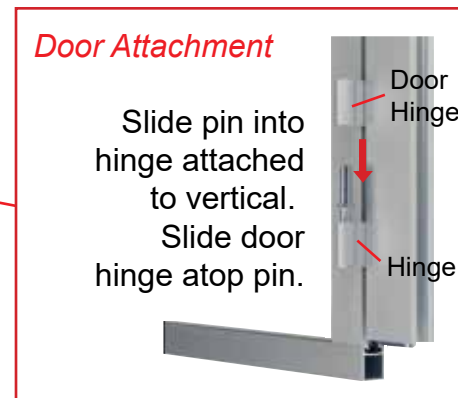
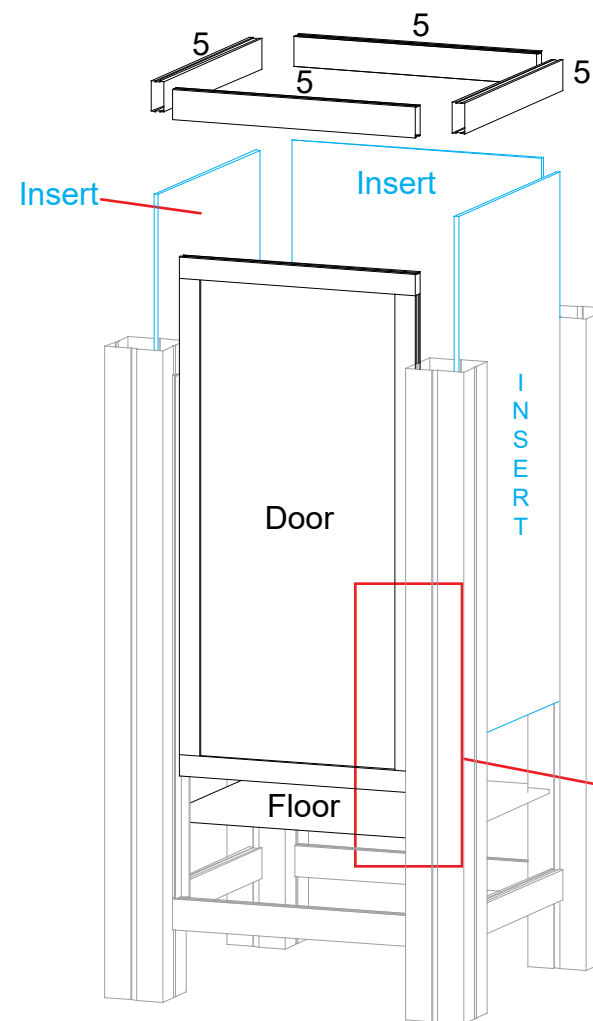
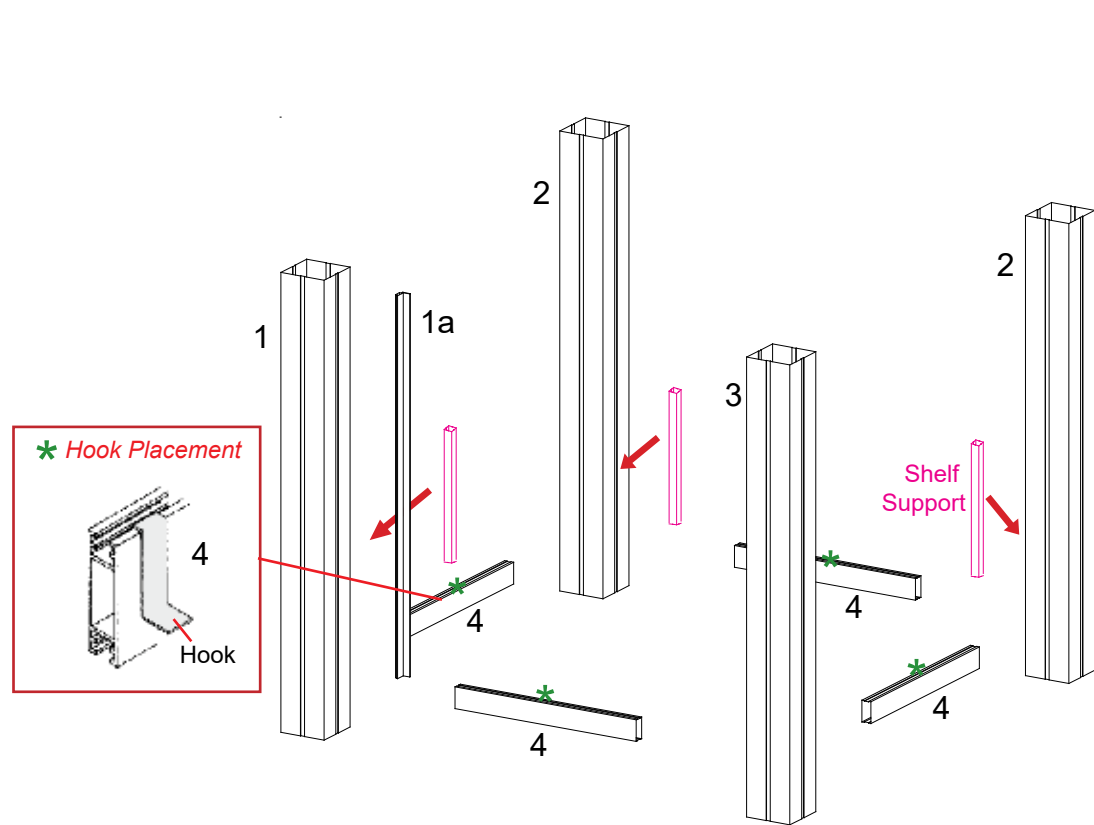
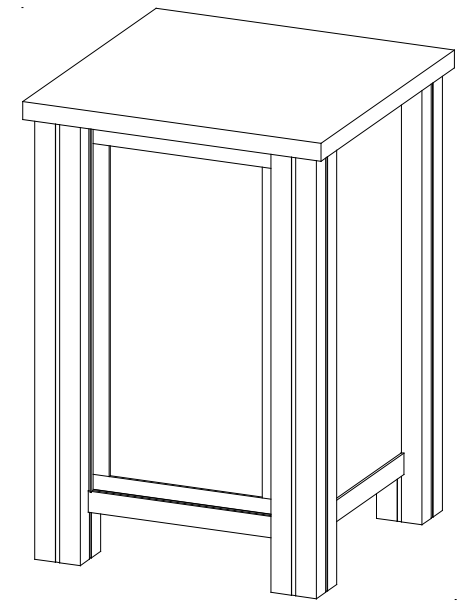


Item	Qty.	Description
1	1	33" Vertical Extrusion
1a	1	Vertical Extrusion/ Door Stopper
2	2	33" Vertical Extrusion
3	1	33" Vertical Extrusion
4	4	15" Horizontal Extrusion
5	4	15" Horizontal Extrusion

Steps:

- 1) Attach door stopper extrusion [1a] to vertical extrusion [1].
Note: Extrusions [1 and 1a] should remain assembled when shipping.
- 2) Connect horizontal extrusions [4] between vertical extrusions [1/1a, 2 and 3] as shown.
- 3) Place hooks on extrusions [4], see hook placement detail, then set floor on hooks.
- 4) Place inserts and attach door as indicated.
- 5) Connect horizontal extrusions [5] between vertical extrusions [1/1a, 2 and 3] locking inserts in place.
- 6) Velcro shelf supports to inside of assembled pedestal, then set internal shelf on top of supports.
- 7) Place conter top on assembled pedestal as shown.



SETUP INSTRUCTIONS

General Setup Instructions

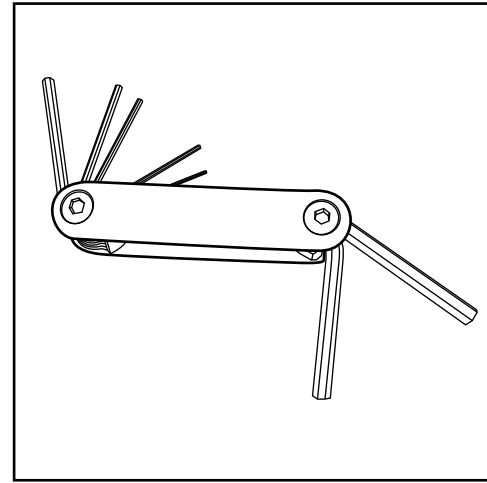
- Read entire setup instruction manual prior to unpacking parts and pieces.
- The setup instructions are created specifically for this configuration.
- Setup instructions are laid out sequentially in steps, including exploded views with detailed explanation for assembly.

Cleaning & Packing

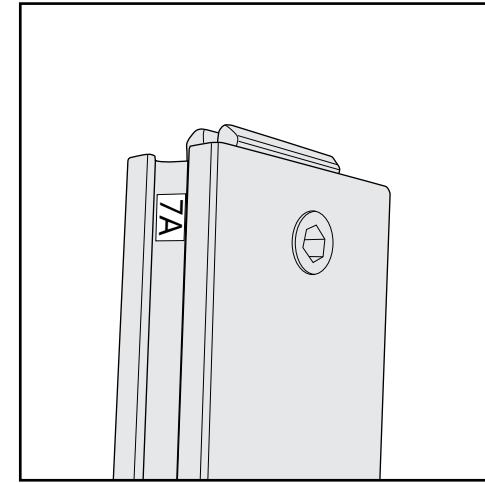
- For Cleaning Metal, Plex, & Laminate Parts: Use a **MILD NON-ABRASIVE** cleanser and soft cloth/paper towel to clean all surfaces.
- Keep exhibit components away from heat and prolonged sun exposure.
Heat and UV exposure will warp and fade components.
- Retain all provided Packing Materials. All provided packing materials are for ease of repacking & component protection.

Disassembly

- For loss prevention, tighten all set screws and locks during disassembly.



Hex Tool - Essential for Assembly



Part Identification - Numbering



Spline Connection



Base Plate & Extrusion Connection



Extrusion & Lock Connection



Engaged Lock



WARNING



DO NOT USE POWER TOOLS



LADDERS OR LIFTS
MAY BE REQUIRED



ALL CONNECTIONS MUST
BE TIGHTLY SECURED