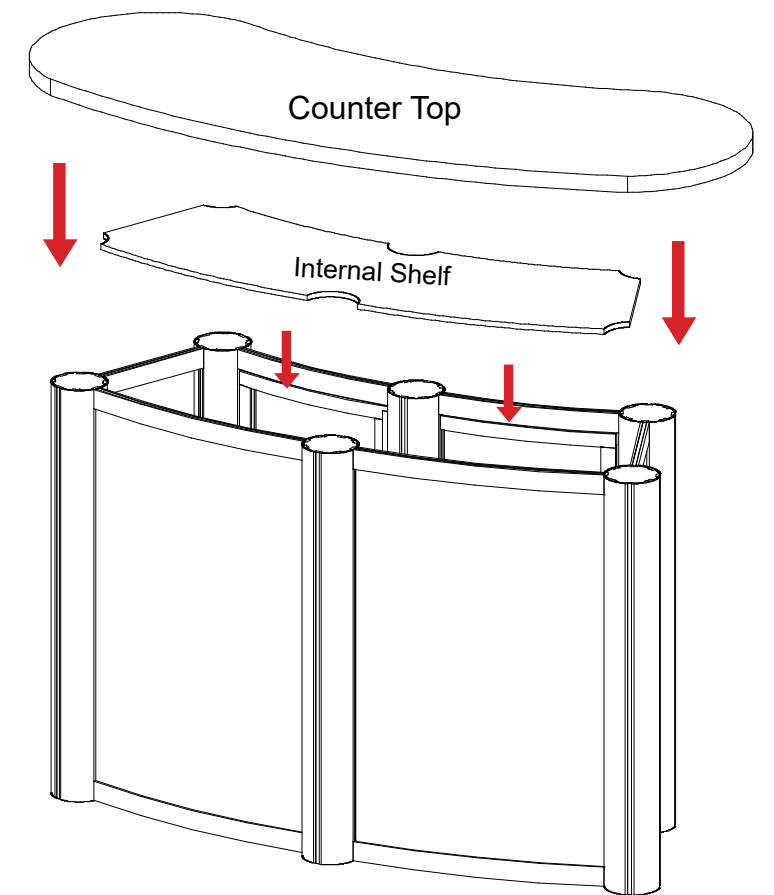
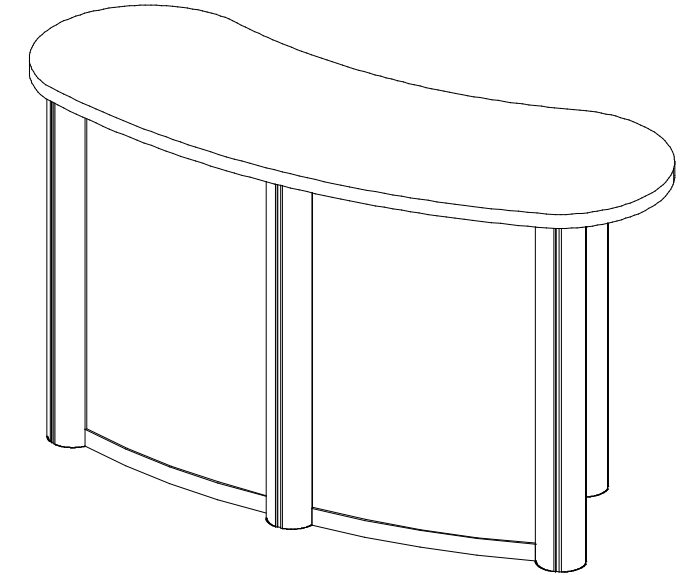
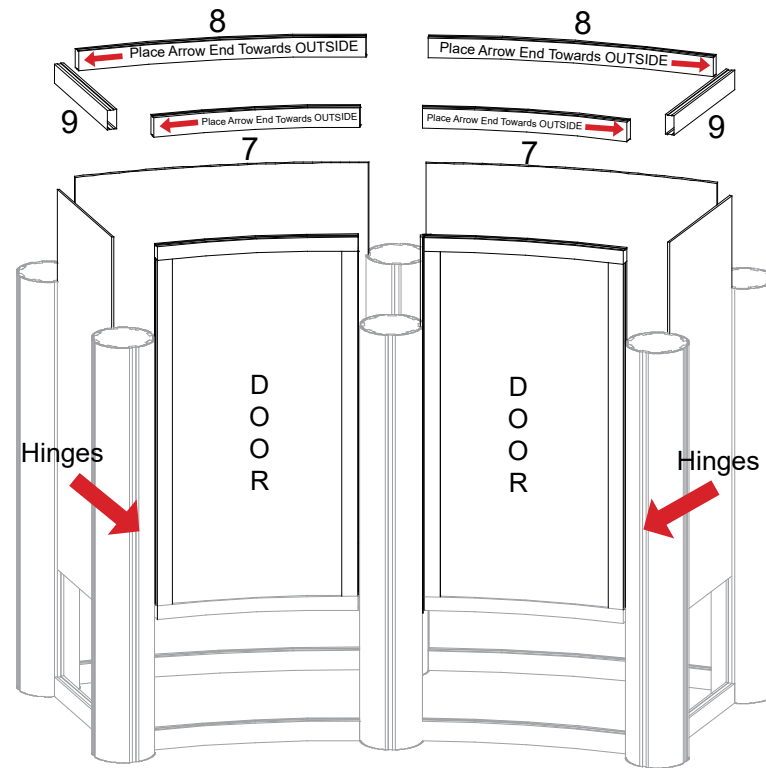
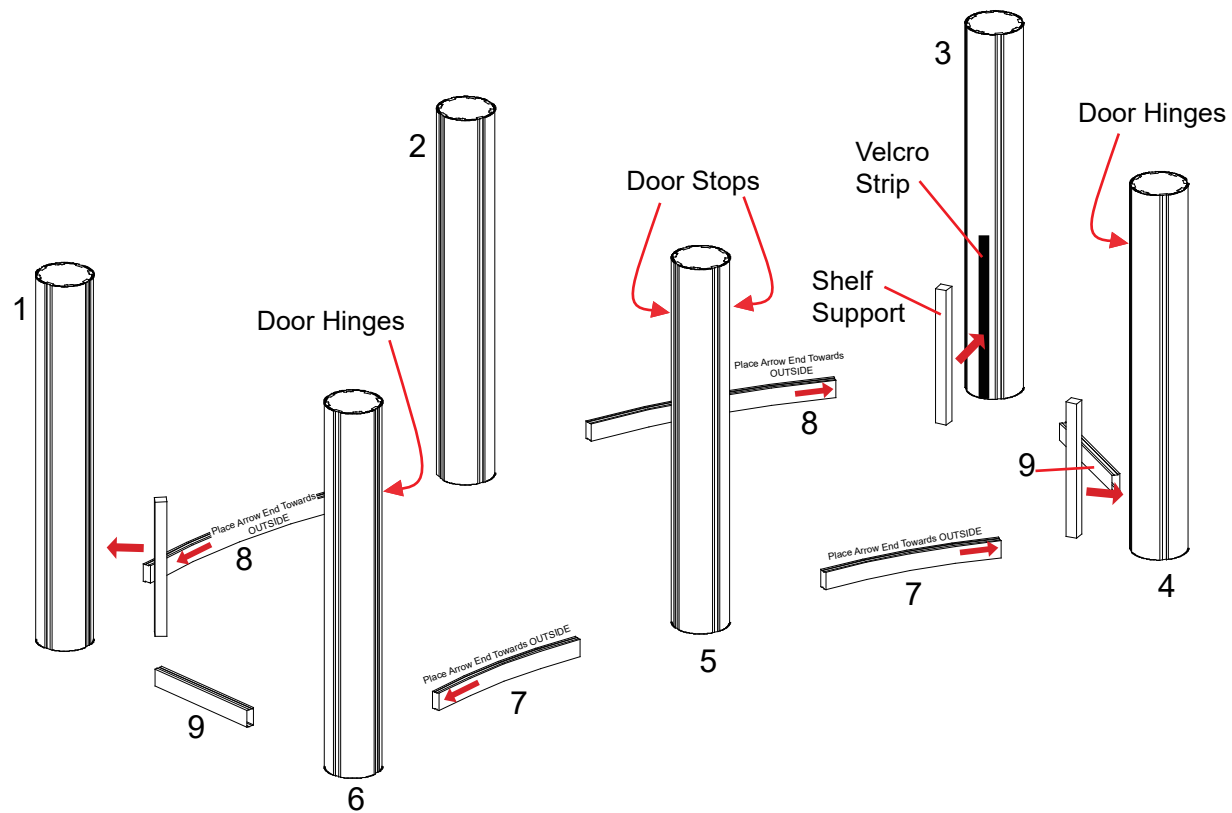
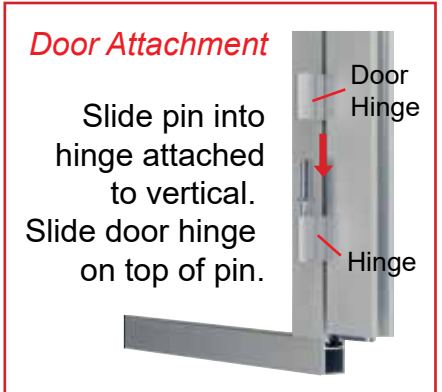


Steps:

- 1) Attach lower horizontal extrusions [7, 8 and 9] between vertical extrusions [1, 2, 3, 4, 5 and 6].
- 2) Place inserts and attach doors where indicated.
- 3) Attach upper horizontal extrusions [7, 8 and 9] between vertical extrusions [1, 2, 3, 4, 5 and 6] and on top of doors and inserts.
- 4) Attach shelf supports to velcro inside of assembled pedestal, then set internal shelf on supprts.
- 5) Place counter top on assembled pedestal.

Item	Qty.	Description
1	1	38" Vertical Extrusion
2	1	38" Vertical Extrusion
3	1	38" Vertical Extrusion
4	1	38" Vertical Extrusion w/ Door Hinges
5	1	38" Vertical Extrusion w/ Door Stops
6	1	38" Vertical Extrusion w/ Door Hinges
7	4	16.5" Curved Horizontal Extrusion
8	4	22.95" Curved Horizontal Extrusion
9	4	11.5" Horizontal Extrusion



SETUP INSTRUCTIONS

General Setup Instructions

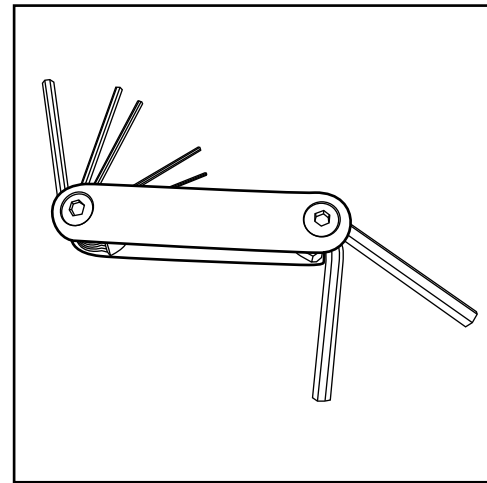
- Read entire setup instruction manual prior to unpacking parts and pieces.
- The setup instructions are created specifically for this configuration.
- Setup instructions are laid out sequentially in steps, including exploded views with detailed explanation for assembly.

Cleaning & Packing

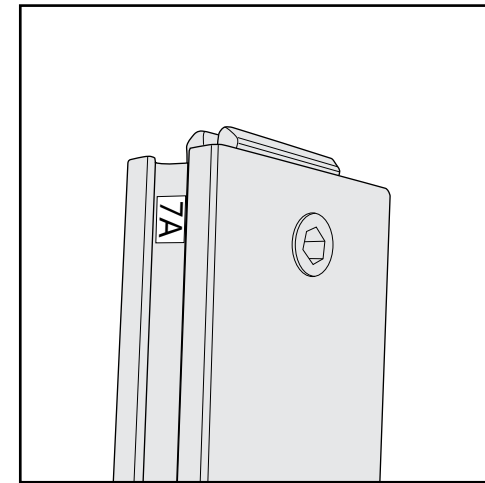
- For Cleaning Metal, Plex, & Laminate Parts: Use a **MILD NON-ABRASIVE** cleanser and soft cloth/paper towel to clean all surfaces.
- Keep exhibit components away from heat and prolonged sun exposure.
Heat and UV exposure will warp and fade components.
- Retain all provided Packing Materials. All provided packing materials are for ease of repacking & component protection.

Disassembly

- For loss prevention, tighten all set screws and locks during disassembly.



Hex Tool - Essential for Assembly



Part Identification - Numbering



Spline Connection



Base Plate & Extrusion Connection



Extrusion & Lock Connection



Engaged Lock



WARNING



DO NOT USE POWER TOOLS



LADDERS OR LIFTS
MAY BE REQUIRED



ALL CONNECTIONS MUST
BE TIGHTLY SECURED