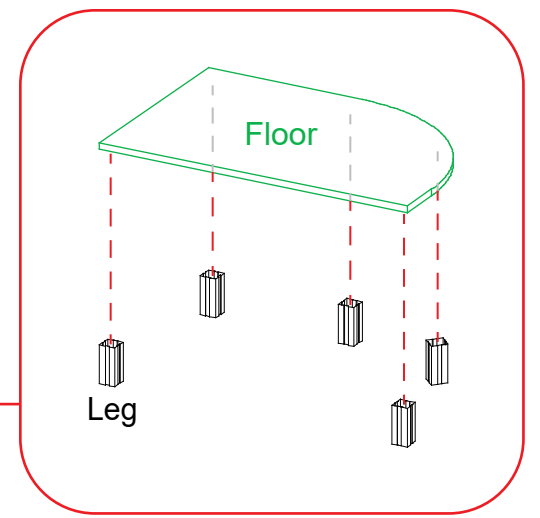
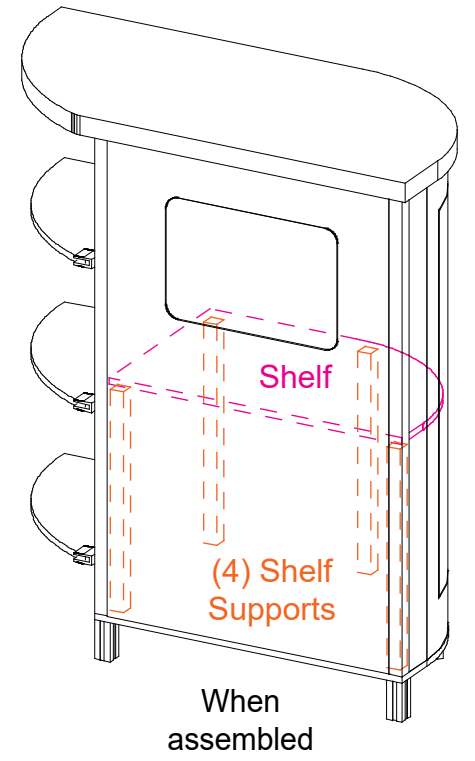
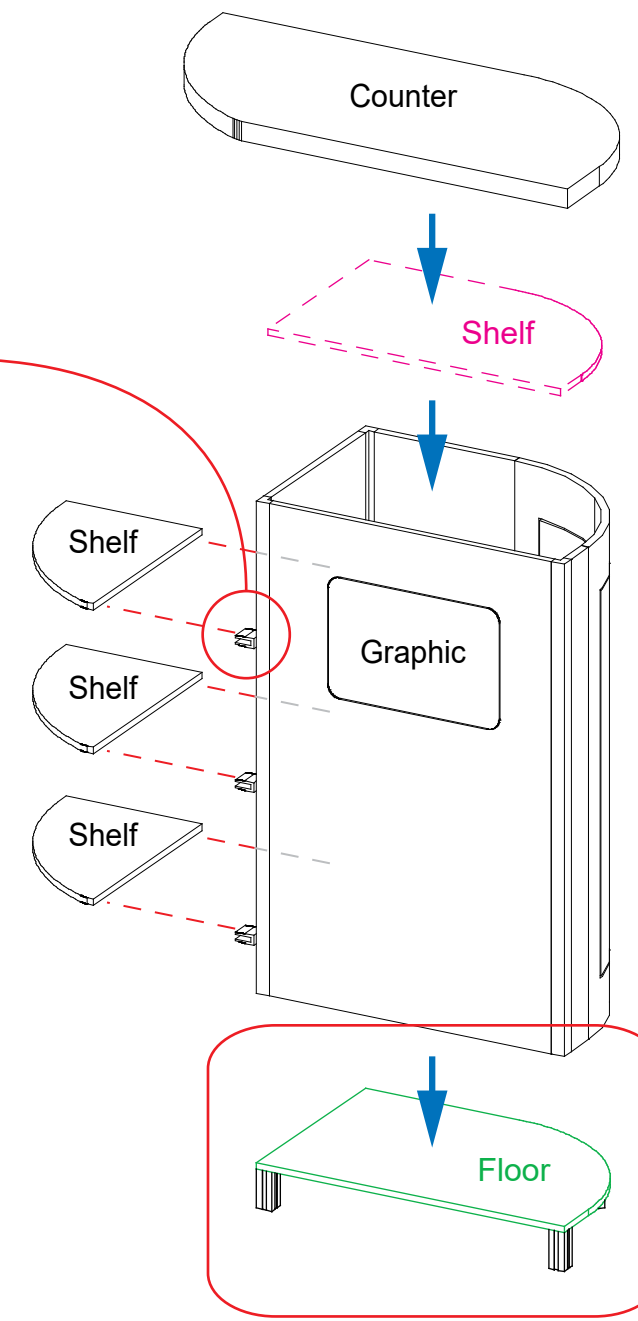
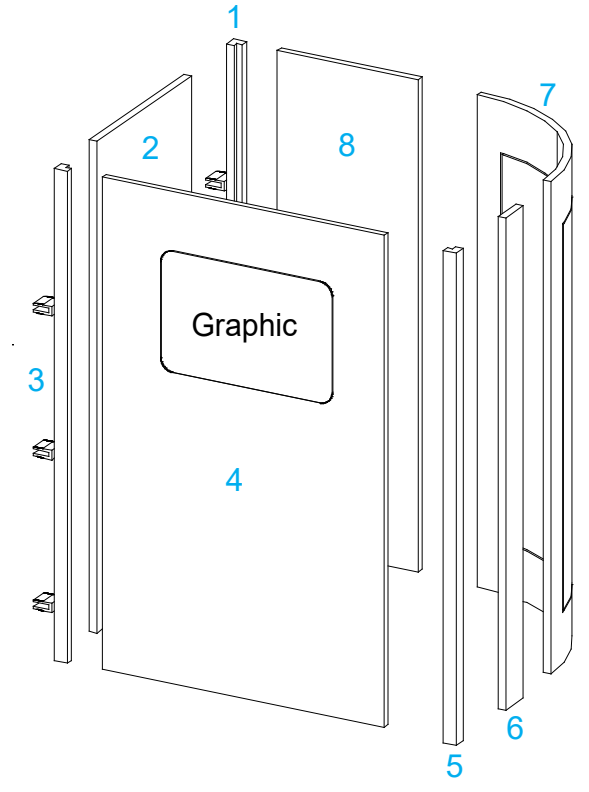
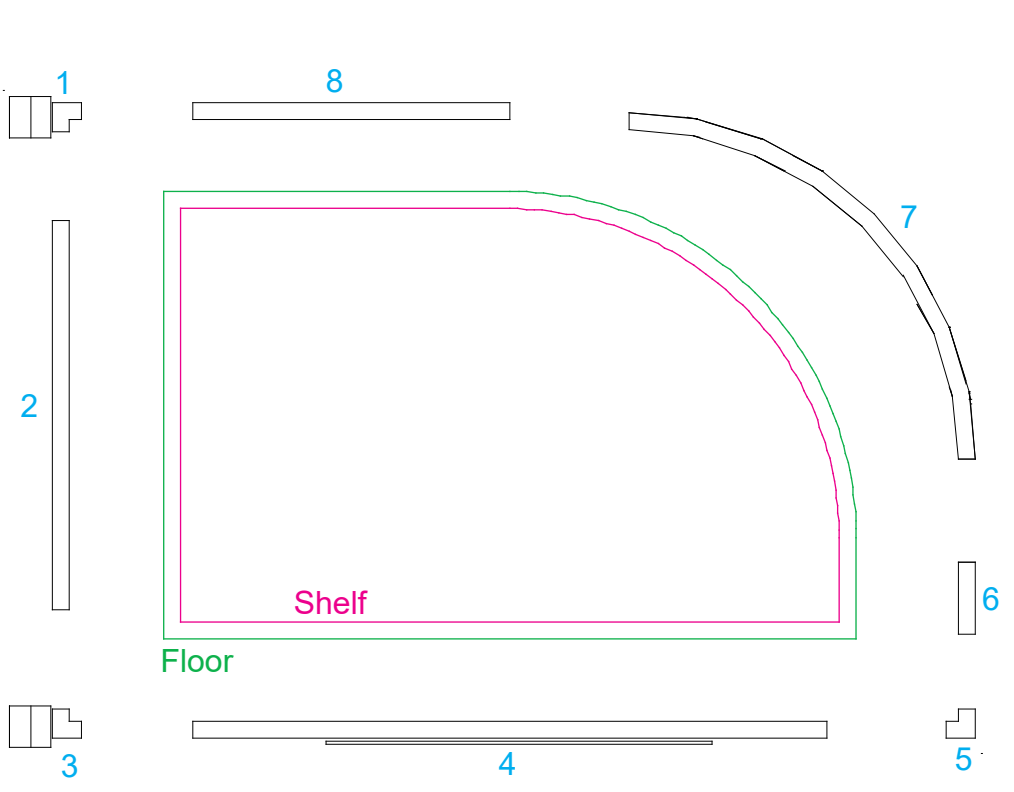
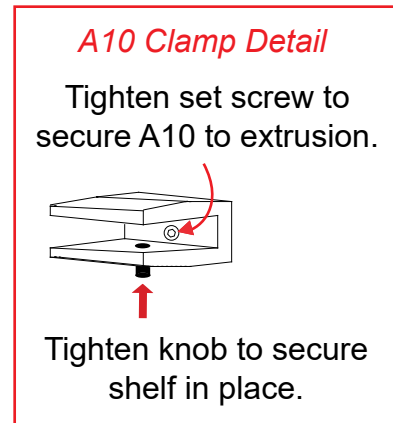


| Item | Description |
|------|--------------------------|
| 1 | 38" 90° Connector |
| 2 | 14.125" x 38" Flat Panel |
| 3 | 38" 90° Connector |
| 4 | 23" x 38" Flat Panel |
| 5 | 38" 90° Connector |
| 6 | 11.5" x 38" Flat Panel |
| 7 | 2.625" x 38" Flat Panel |
| 8 | 11.5" x 38" Flat Panel |

- Steps:
- 1) Connect LT curved and flat panels [1-8] together as shown.
 - 2) Velcro attach graphic to flat panel [4].
 - 3) Attach legs to bottom of floor using bolts.
 - 4) Place assembled LT panels atop floor.
 - 5) Velcro attach shelf supports to inside of assembled panels.
 - 6) Place shelf atop shelf supports.
 - 7) Place counter atop assembled pedestal.
 - 8) Attach side shelves to assembled pedestal.
- Refer to *A10 Clamp Detail*.



SETUP INSTRUCTIONS

General Setup Instructions

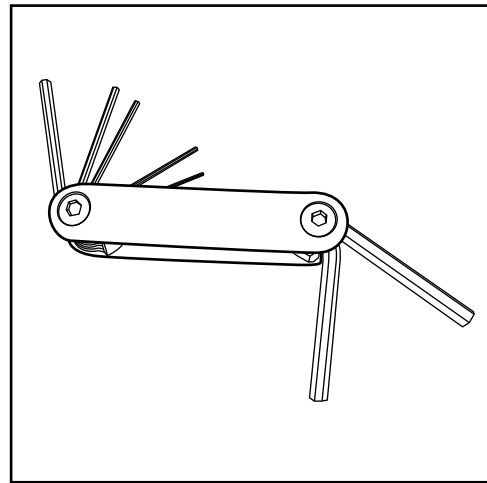
- Read entire setup instruction manual prior to unpacking parts and pieces.
- The setup instructions are created specifically for this configuration.
- Setup instructions are laid out sequentially in steps, including exploded views with detailed explanation for assembly.

Cleaning & Packing

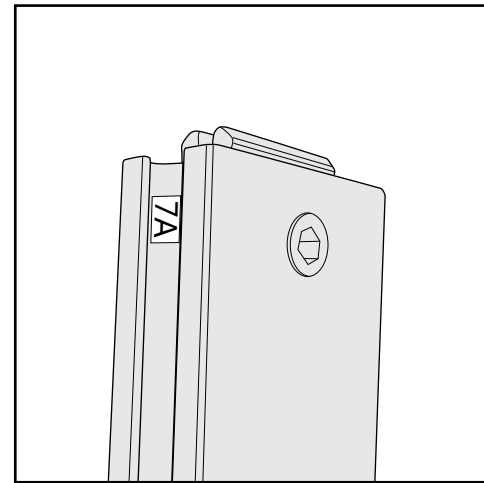
- For Cleaning Metal, Plex, & Laminate Parts: Use a **MILD NON-ABRASIVE** cleanser and soft cloth/paper towel to clean all surfaces.
- Keep exhibit components away from heat and prolonged sun exposure.
Heat and UV exposure will warp and fade components.
- Retain all provided Packing Materials. All provided packing materials are for ease of repacking & component protection.

Disassembly

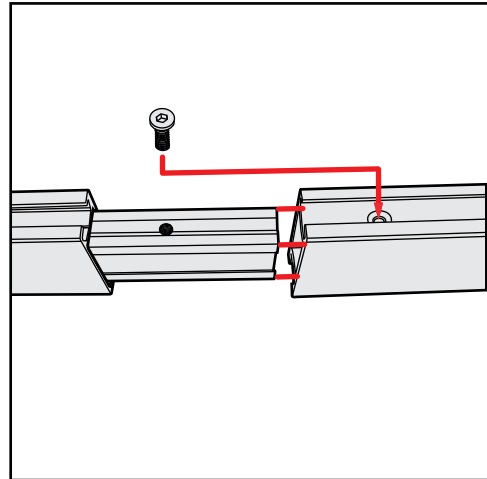
- For loss prevention, tighten all set screws and locks during disassembly.



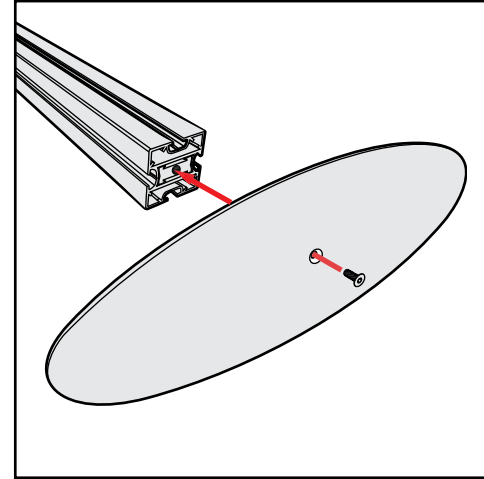
Hex Tool - Essential for Assembly



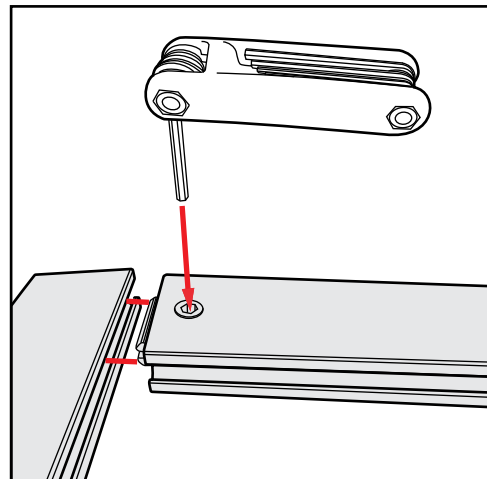
Part Identification - Numbering



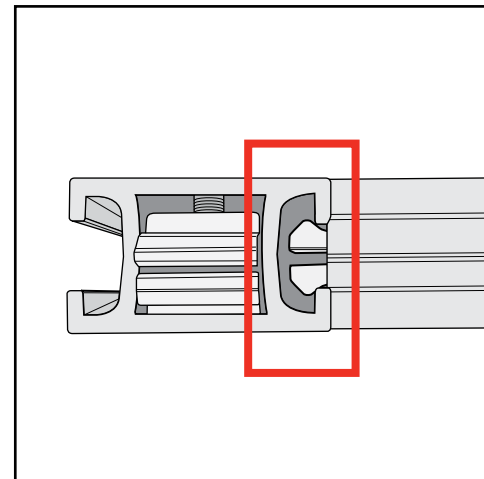
Spline Connection



Base Plate & Extrusion Connection



Extrusion & Lock Connection



Engaged Lock



WARNING



DO NOT USE POWER TOOLS



LADDERS OR LIFTS
MAY BE REQUIRED



ALL CONNECTIONS MUST
BE TIGHTLY SECURED