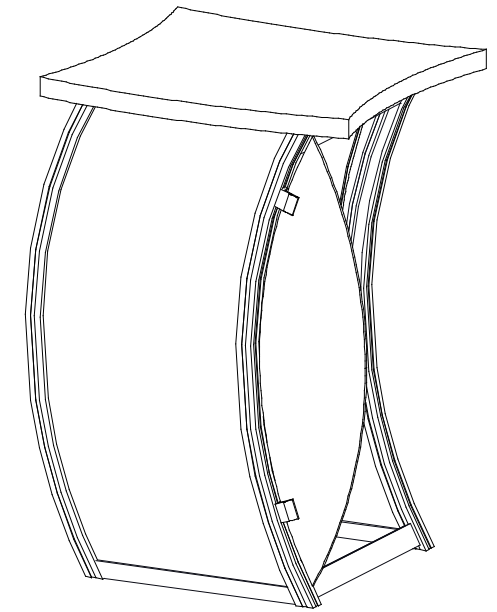
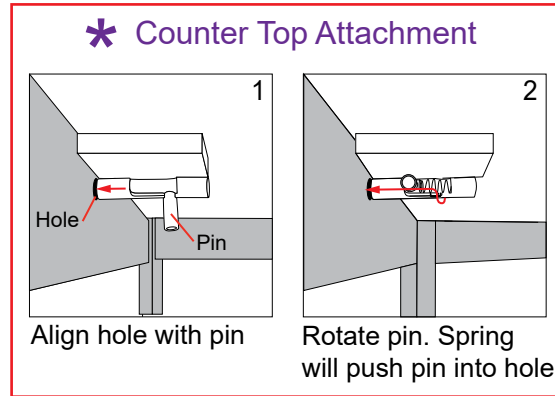


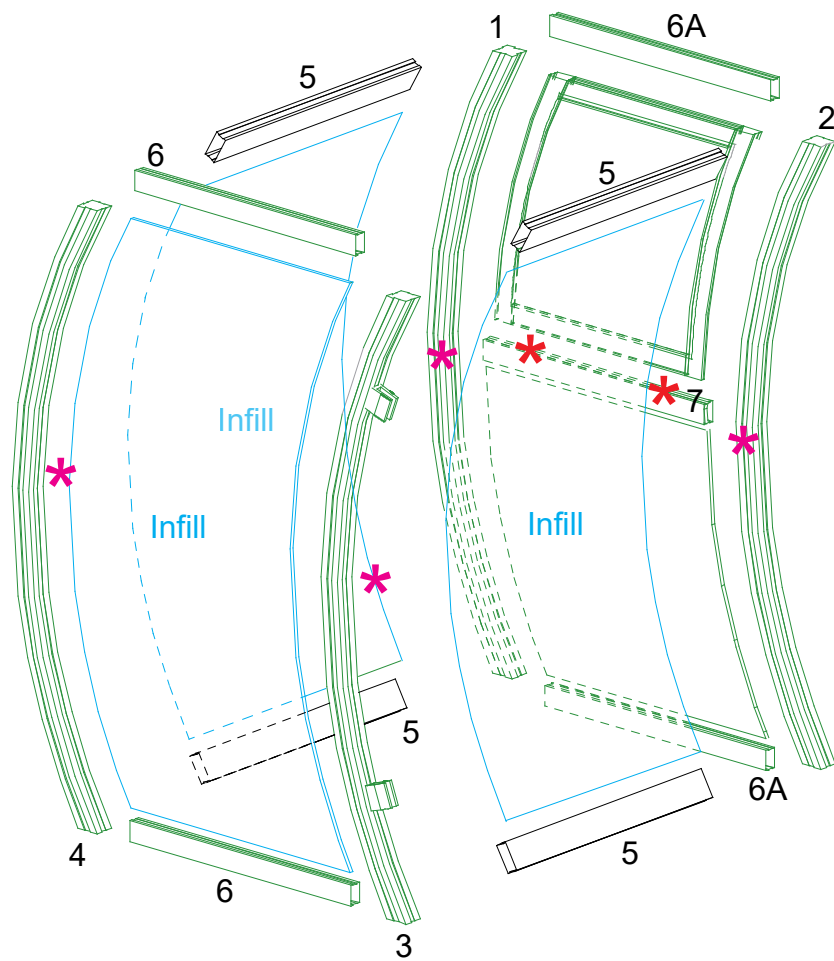
| Part Number | Qty | Description |
|-------------|-----|---|
| 1 | 1 | 39.84" Curved Vertical Extrusion |
| 2 | 1 | 39.84" Curved Vertical Extrusion w/ A10 Clamp |
| 3 | 1 | 39.84" Curved Vertical Extrusion w/ A10 Clamp |
| 4 | 1 | 39.84" Curved Vertical Extrusion |
| 5 | 4 | 17" Horizontal Extrusion |
| 6 | 3 | 17" Horizontal Extrusion |
| 6A | 1 | 17" Horizontal Extrusion w/ Door Stopper |
| 7 | 1 | 17" Horizontal Extrusion w/ Door Hinge |

Steps:

- 1) Connect front and back assemblies together using Horizontals [5], placing Infills between Verticals and Horizontals.
- 2) Set internal shelf onto pins where indicated. (* Pins)
- 3) Attach Wing to A10 clamps. See [A10 Clamp Attachment](#) detail.
- 4) Set Counter Top onto pedestal base. See [Counter Top Attachment](#) detail.

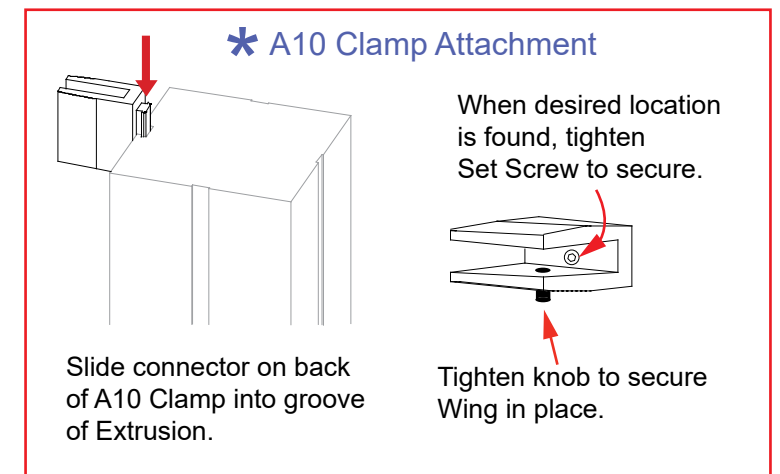
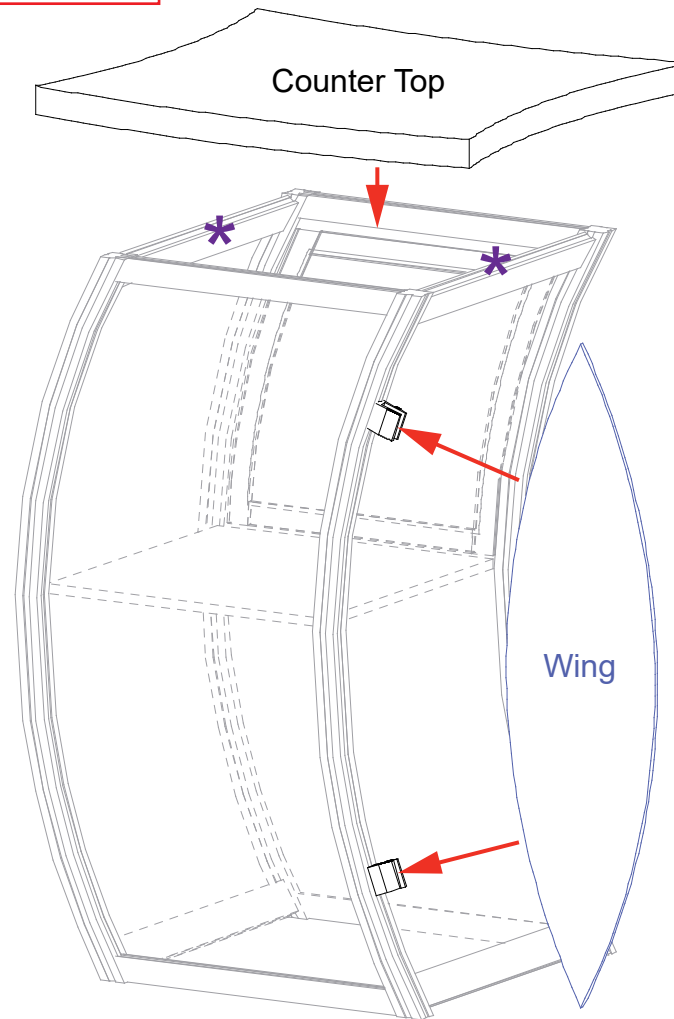


Completed Assembly



Pedestal Base Assembly

Note:
Front and Back must remain assembled when shipping and packing.



SETUP INSTRUCTIONS

General Setup Instructions

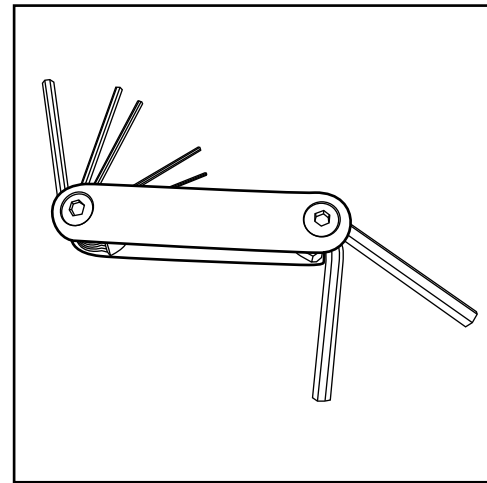
- Read entire setup instruction manual prior to unpacking parts and pieces.
- The setup instructions are created specifically for this configuration.
- Setup instructions are laid out sequentially in steps, including exploded views with detailed explanation for assembly.

Cleaning & Packing

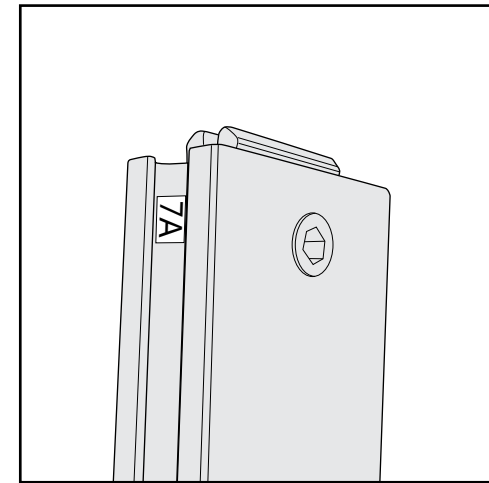
- For Cleaning Metal, Plex, & Laminate Parts: Use a **MILD NON-ABRASIVE** cleanser and soft cloth/paper towel to clean all surfaces.
- Keep exhibit components away from heat and prolonged sun exposure.
Heat and UV exposure will warp and fade components.
- Retain all provided Packing Materials. All provided packing materials are for ease of repacking & component protection.

Disassembly

- For loss prevention, tighten all set screws and locks during disassembly.



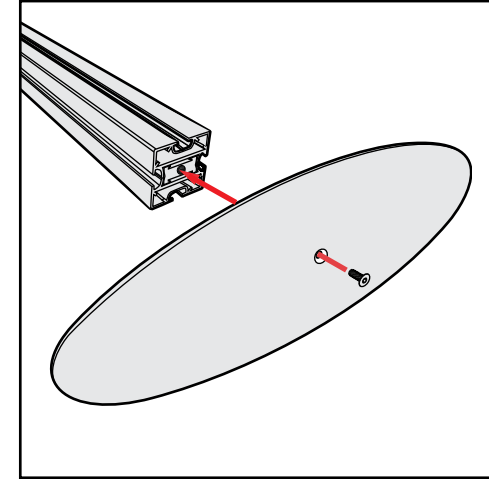
Hex Tool - Essential for Assembly



Part Identification - Numbering



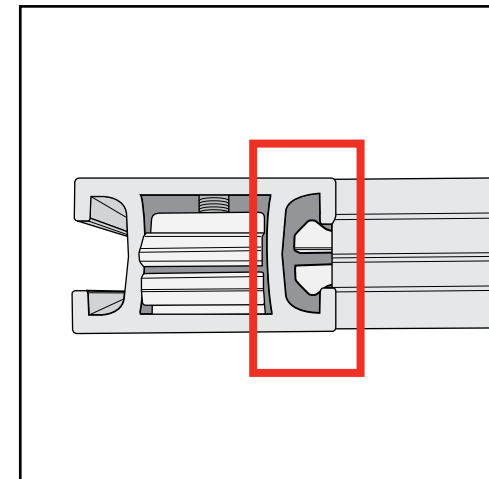
Spline Connection



Base Plate & Extrusion Connection



Extrusion & Lock Connection



Engaged Lock



WARNING



DO NOT USE POWER TOOLS

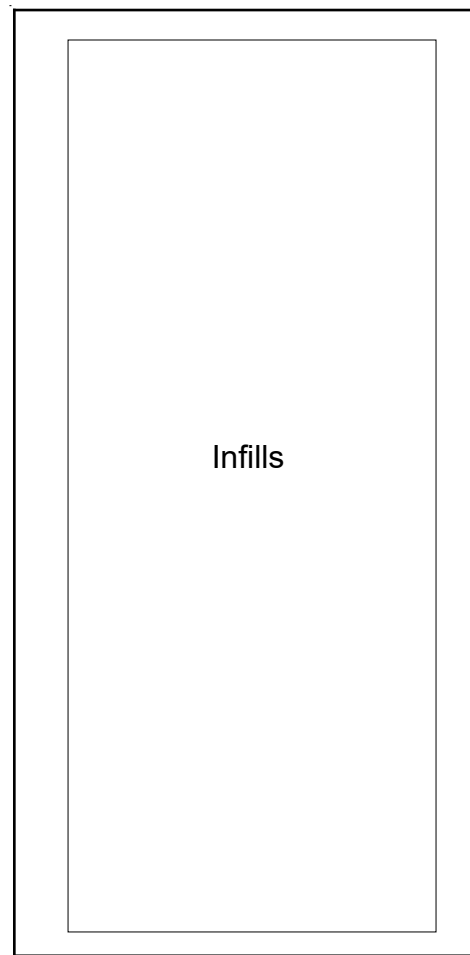


LADDERS OR LIFTS
MAY BE REQUIRED

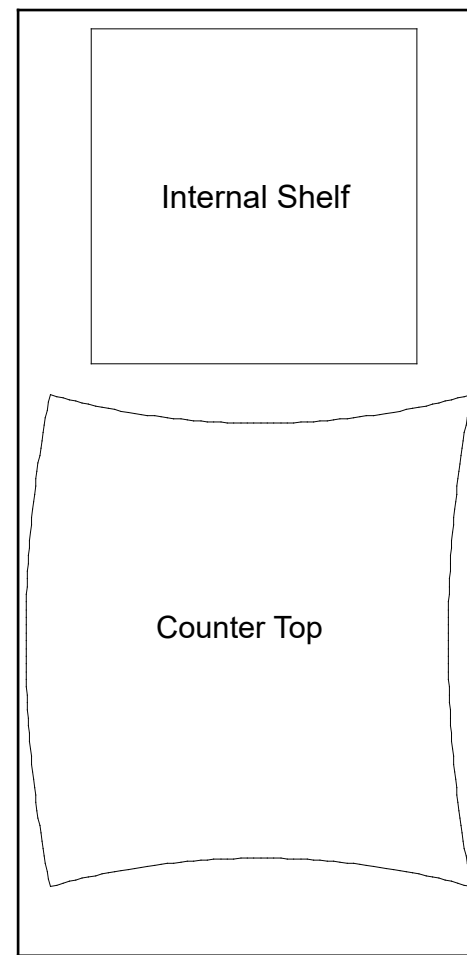


ALL CONNECTIONS MUST
BE TIGHTLY SECURED

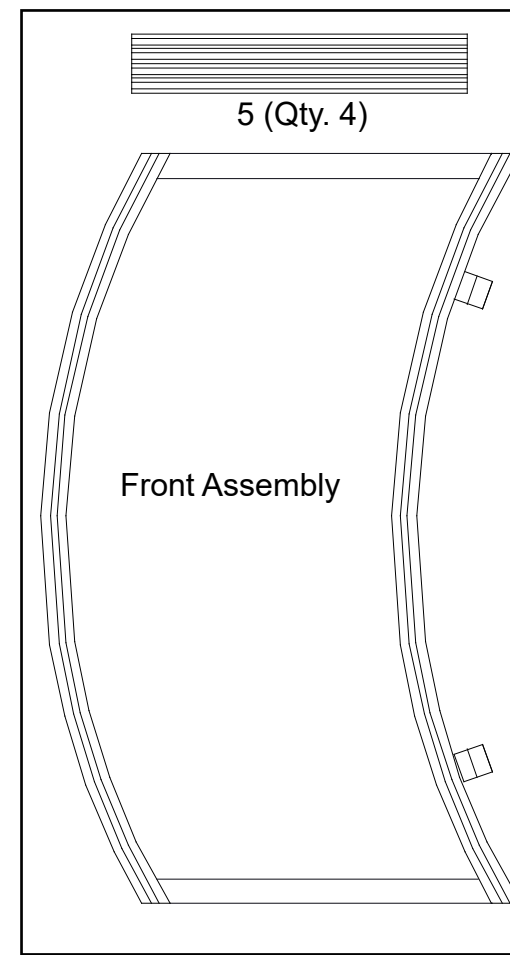
Top Views of Each Level



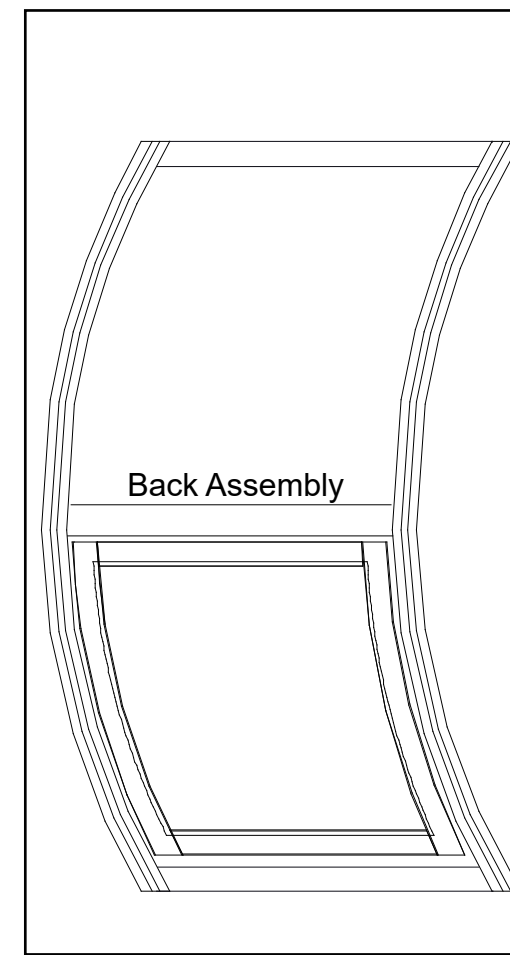
Level 1



Level 2



Level 3



Level 4